

SUBMITTAL - 30KUAS1M

Job Name: _____	Date: _____
Location: _____	

Indoor Unit: **AMUH30KUAS**

Outdoor Unit: **AOUH30KUAS1**



FEATURES

INDOOR UNIT:

- Ducted Multi-Position Air Handling Unit ideal for retrofit and new construction applications
- Multi-position configuration: Up-flow, Left, Right, or Down-flow (requires optional Downflow kit)
- Low-noise design with sound levels as low as 32 dB(A)
- Built-in refrigerant leak detection sensor
- Multiple fan speed options; Auto, High, Med, Low, and Quiet
- Wide external static pressure (ESP) range: up to 0.8 inWG
- Special Operation modes available:
 - Economy Mode/ Cold Air Prevention / Auto-restart function
- Enhanced control platform:
 - Wireless control available via optional IR receiver and wireless remote (UTY-LBTUM)
 - Optional Wi-Fi module enables remote access through the Airstage Mobile App
 - Supports 24Vac third-party thermostat integration via compatible thermostat Interface
 - BACnet and Modbus protocol compatibility for Building Management and Home Automation systems
- Advanced scheduling and timer options with Weekly Timer / 24-hr Timer / Sleep Function
- Built-in I/O terminals support integration with third-party devices (e.g. fire alarms, door switches, humidifiers, auxiliary heat, and ERV/HRV systems)
- Optional single and dual stage electric heater kits for additional heat capacity
- Emergency heat supported via optional heater kits or external third-party sources
- Auto backup heat activation (requires Heater Kit or third-party source)
- Ideal for installation in zero-clearance applications (e.g. mobile homes, manufactured homes)
- Low air leakage rate of less than 2%
- Compatible with Airzone third-party communicating zoning system

OUTDOOR UNIT:

- Low GWP R-32 systems for reduced environmental impact
- Common Outdoor Unit compatible with all non-wall-mounted indoor unit types
- INVERTER-driven compressor that offers superior performance, comfort, and energy savings
- Delivers more than 100% cooling capacity at 0°F (-17.8°C)
- Compact outdoor unit with extended line set length up to 164ft (50m)
- Provides low ambient cooling and heating down to -5°F (-20°C) for dependable performance in extreme conditions.



7 Year Compressor, 5 Year Parts out-of-the-box Warranty.



10 Year Compressor, 10 Year Parts Warranty when registered within 60 days of installation in a residence.



12 Year Compressor, 12 Year Parts Warranty when registered within 60 days of installation in a residence and installed by a Fujitsu Elite contractor.



Due to continuous product improvements, specifications are subject to change without notice. Please log in to the Fujitsu Portal for the most up-to-date documentation <https://connect.fujitsugeneral.com>

Version: 20250602A

-1 of 6-

SUBMITTAL - 30KUAS1M

SPECIFICATIONS:

Indoor Unit				AMUH30KUAS				
Outdoor Unit				AOUH30KUAS1				
System Name				30KUAS1M				
AHRI Number				217290595				
SEER2	Cooling			Btu/hW	19			
EER2					11.7			
HSPF 2 (IV) / HSPF 2 (V)	Heating			kW/kW	10 / 7.9			
COP2					3.84			
Outdoor Operation Range		Cooling		°F (°C)	-5 to 122 (-21 to 50)			
		Heating			-5 to 75 (-21 to 24)			
Indoor Capacity		Cooling		Btu/h	30000			
					Min.—Max.	9,600—35,000		
					Rated	32000		
		Heating			47°FDB (Outdoor temp.)		9,200—38,000	
							Min.—Max.	22200
							Rated	31900
				Max.				
		17°FDB (Outdoor temp.) ¹		29400				
				Rated				
				Max.				
		5°FDB (Outdoor temp.) ²						
				Rated				
				Max.				
Outdoor Connection pipe		Liquid		in (mm)	Ø3/8 (Ø9.52)			
		Gas			Ø5/8 (Ø15.88)			
				Method		FLARE		
				Pre-charge length		66 (20)		
				Min. length		16 (5)		
				Max. length		164 (50)		
		Max. height difference		98 (30)				
Indoor Dimensions (H × W × D)		Net		in (mm)	48 × 21 × 21 (1,219 × 533 × 533)			
		Gross			52 × 23 × 26-3/4 (1,321 × 584 × 679)			
Indoor Weight		Net		lb (kg)	137 (62.1)			
		Gross			150 (68.0)			
Outdoor Dimensions (H × W × D)		Net		in (mm)	39-5/16 × 37 × 12-5/8 (998 × 940 × 320)			
		Gross			46-5/16 × 40-7/16 × 17-1/2 (1,176 × 1,027 × 445)			
Outdoor Weight		Net		lb (kg)	137 (62)			
		Gross			157 (71)			
Indoor Fan		Cooling		CFM (m ³ /h)	High	1,000 (1,699)		
					Med	800 (1,360)		
					Low	700 (1,190)		
					Quiet	630 (1,070)		
		Heating			High	1,000 (1,699)		
					Med	800 (1,360)		
					Low	700 (1,190)		
					Quiet	630 (1,070)		
					Type × Qty		SIROCCO FAN × 1	
					Motor output		W	254
		Static pressure range		inWG (Pa)	0.2 to 0.8 (50 to 200)			
Outdoor Fan		Cooling		CFM (m ³ /h)	2,301 (3,910)			
					Heating		2,219 (3,770)	
					Type × Qty		PROPELLER FAN × 1	
					Motor output		W	120
Indoor Sound Pressure Level ⁴		Cooling		dB (A)	High	42		
					Med	37		
					Low	35		
					Quiet	32		
		Heating			High	43		
					Med	38		
					Low	36		
					Quiet	33		

SUBMITTAL - 30KUAS1M

SPECIFICATIONS:

Outdoor Refrigerant	Type		R32		
	Charge	lb oz	4 lb 7 oz		
		g	2000		
Additional Charge Calculation		oz/ft	0.43		
		g/m	40		
Outdoor Refrigerant Oil	Type		RMM68AF		
	Amount	in ³ (cm ³)	48.8 (800)		
Indoor Moisture removal		pints/h (L/h)	3.47 (7.3)		
Indoor Drain hose	Material		LOW-DENSITY POLYETHYLENE		
	Tip Diameter	in (mm)	Ø1/2 (Ø13.0) (I.D.), Ø5/8 to Ø11/16 (Ø16.0 to Ø16.7) (O.D.)		
Indoor Operation range	Cooling	°F (°C)	64 to 90 (18 to 32)		
	Heating	%RH	80 or less		
Power Supply			208/230 V~ 60 Hz		
Available Voltage Range			187—253		
System power supply	Voltage		V		
	Frequency		Hz		
	Available voltage range		V		
Indoor Current	Cooling	Rated	11.2		
	Heating		10.9		
Maximum Operating Current ³		Cooling	19.8		
		Heating			
Outdoor Starting Current			11.2		
MCA ⁵			14.2		
Wiring spec. ⁶	MAX. CKT. BKR ⁷		15		
Indoor Input Power	Cooling	Rated	2.56		
			47°FDB (Outdoor temp.)	2.44	
	Heating	Max.	17°FDB (Outdoor temp.) ¹	2.2	
			Rated	5°FDB (Outdoor temp.) ²	3.95
				Max.	
Indoor Power Factor	Cooling	%	99.4		
	Heating		97.3		
Energy Star			ES, ESCC, ESME		

NOTES:

- Cooling: Indoor temperature of 80°F (26.67°CDB)/67°FDB (19.44°CWB), and outdoor temperature of 95°FDB (35°CDB)/75°FWB (23.9°CWB).
- Heating: Indoor temperature of 70°FDB (21.11°CDB)/60°FWB (15.56°CWB), and outdoor temperature of 47°FDB (8.33°CDB)/43°FWB (6.11°CWB).
- 17°FDB (Outdoor temp.) —¹: Heating (17°F): Indoor temperature of 70°FDB (21.11°CDB)/60°FWB (15.56°CWB), and outdoor temperature of 17°FDB (-8.33°CDB)/15°FWB (-9.44°CWB).
- 5°FDB (Outdoor temp.) —²: Heating (5°F): Indoor temperature of 70°FDB (21.11°CDB)/60°FWB (15.56°CWB), and outdoor temperature of 5°FDB (-15.0°CDB)/4°FWB (-15.56°CWB).
- Test conditions are based on AHRI 210/240 2023.
- ⁴: Indoor Sound Pressure Level, —Measured values in manufacturer's anechoic chamber.
- Outdoor Sound Pressure Level —Because of the surrounding sound environment, the sound levels measured in actual installation conditions might be higher than the specified values here.
- ³: Maximum Operating Current —Maximum current is maximum value when operated within the operation range.
- The total current of indoor unit and outdoor unit.
- MCA —⁵: Minimum Circuit Ampacity (Calculation based on UL60335-2-40)
- ⁶: Selected sample based on Japan Electrotechnical Standards and Codes Committee ED005.
- Wiring spec. —As the regulations of wire size and circuit breaker differ in each country or region, select appropriate devices complied to the regional standard.
- MAX. CKT. BKR—⁷: Maximum Circuit Breaker.
- System continues to operate below rated outdoor operation temperature range, subject to varying conditions. System has no low temperature cut out. Capacity is not tested outside of the rated temperature range.

HEATER KIT SPECIFICATIONS:

For 2.5 Ton System:

Heater Kit	Description	Voltage (V)	Heater kW	Stage	Heater Amps	Min. Ckt. Amp (MCA)	Max. Ckt. Bkr (MCB)
UTZ-EU03MMA	Heater Kit - 3kW, 1 Stage, 208/240V, Single Phase, With Breaker	240	3	1	12.5	15.7	20
UTZ-EU05MMA	Heater Kit - 5kW, 1 Stage, 208/240V, Single Phase, With Breaker	240	5	1	20.9	26.1	30
UTZ-EU10MMB2	Heater Kit - 10kW, 2 Stage, 208/240V, Single Phase, With Breaker	240	10	2	20.9/20.9	26.1/26.1	30/30

SUBMITTAL - 30KUAS1M

ACCESSORIES:

Model Number	Description
UTY-RVRU	KAGAMI - Touch Panel Wired Controller
UTY-RNRUZ5	Touch Panel Wired Remote Controller
UTY-RHRY	Simple Wired Remote (Without Mode Function) - Hospitality
UTY-RSRY	Simple Wired Remote (With Mode Function)
UTY-LBTUM	IR Receiver Kit w/ Wireless Remote Controller (Mid-Static Ducted)
UTY-TFSXJ4	Wi-Fi adapter (WiFi Interface Module UART Type)
FJ-AC-WIFI-1	Intesis Wi-Fi Device: Wired Module
FJ-IR-WIFI-1NA ^{*1}	Intesis IR Wireless AC Cloud Control Interface (Intesis Home app)
BM101WA ^{*1}	Cielo Breez MAX IR Controller w/ WiFi (Black)
BM102WA ^{*1}	Cielo Breez MAX IR Controller w/ WiFi (White)
UTY-VMSX	Modbus Converter
UTY-VTGX	Network Converter - Convert H-Series Comm. Protocol to V/J-Series Comm.
FJ-AC-485-1	Intesis - BACnet MSTP & Modbus RTU Gateway
UTY-TERX	External Switch Controller
UTY-TTRXZ1 ^{*2}	24V Thermostat Interface
TTRXZ1-KIT ^{*2}	24V Thermostat Interface Kit (UTY-TTRXZ1, UTY-WiFi Plug & 24V Transformer)
UTY-XSZXZ1	Remote Temperature Sensor
UTY-XCSX	External Input and Output PCB
UTY-XWZXZG	External Connect Kit
UTY-XWZXZJ	Wire Kit - External Input and Output
UTZ-GXRA	External Input and Output PCB box
UTY-DSGYZ2 ^{*3}	Airstage Edge Controller
UTY-XWZXZP	External Output Wire
UTZ-EU03MMA	Heater Kit - 3kW, 1 Stage, 208/240V
UTZ-EU05MMA	Heater Kit - 5kW, 1 Stage, 208/240V
UTZ-EU10MMB2	Heater Kit - 10kW, 2 Stage, 208/240V
UTD-DFMMB1	Downflow Configuration Kit

NOTES:

*1 -Requires IR receiver kit UTY-LBTUM to connect this device to IDU.

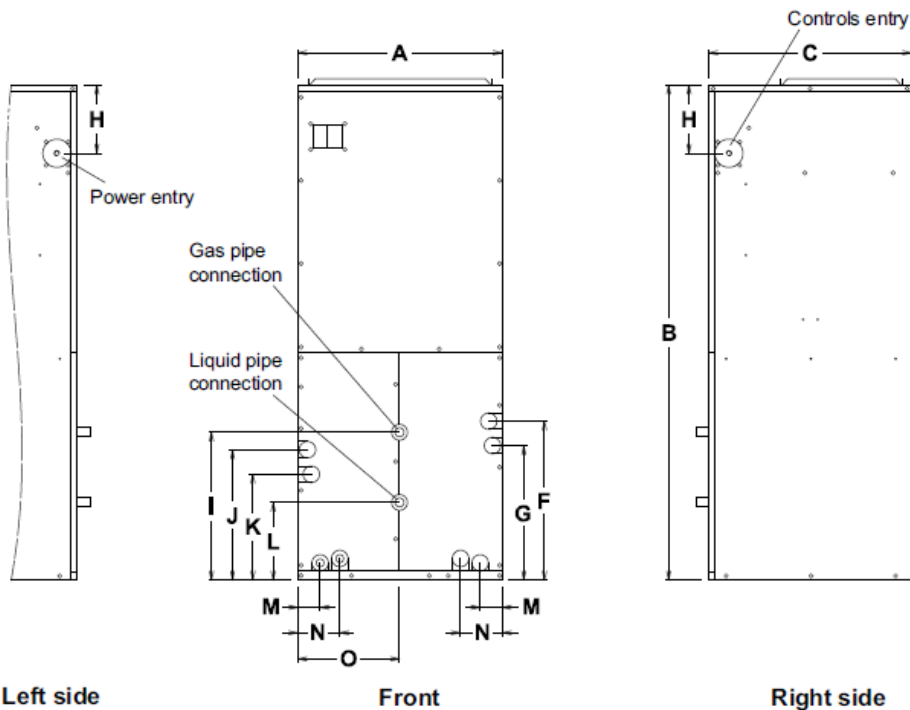
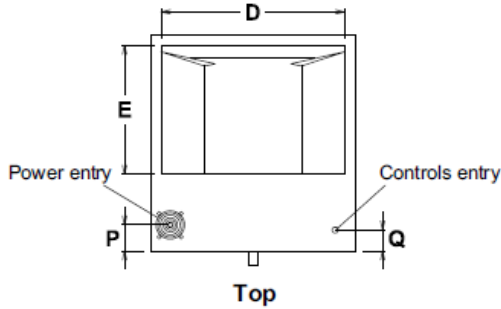
*2 -This device may not be used with any other type of controls (central controller, wire/wireless RC, WiFi adapter, BMS interface).

*3 -Connection to AIRSTAGE Cloud requires a compatible AIRSTAGE Mobile adapter connected to the IDU.

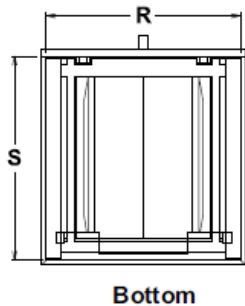
SUBMITTAL - 30KUAS1M

INDOOR UNIT DIMENSIONS:

Unit: in(mm)



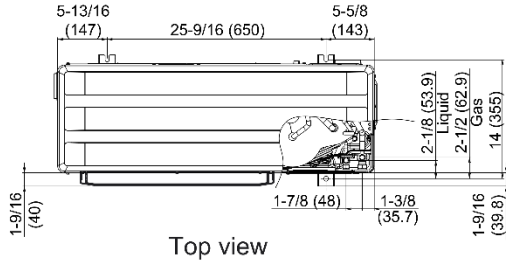
Dimensions	Value in(mm)
A	21.00 (533.4)
B	48.00 (1219.2)
C	21.00 (533.4)
D	19.00 (482.6)
E	12.50 (318.5)
F	15.39 (390.9)
G	13.00 (330.2)
H	6.75 (171.5)
I	14.09 (357.9)
J	12.38 (314.5)
K	10.30 (261.6)
L	11.06 (280.9)
M	2.30 (58.42)
N	4.35 (110.5)
Q	9.35 (237.5)
R	5.00 (127.0)
S	2.00 (50.8)
R	19.90 (505.5)
S	20.80 (528.3)



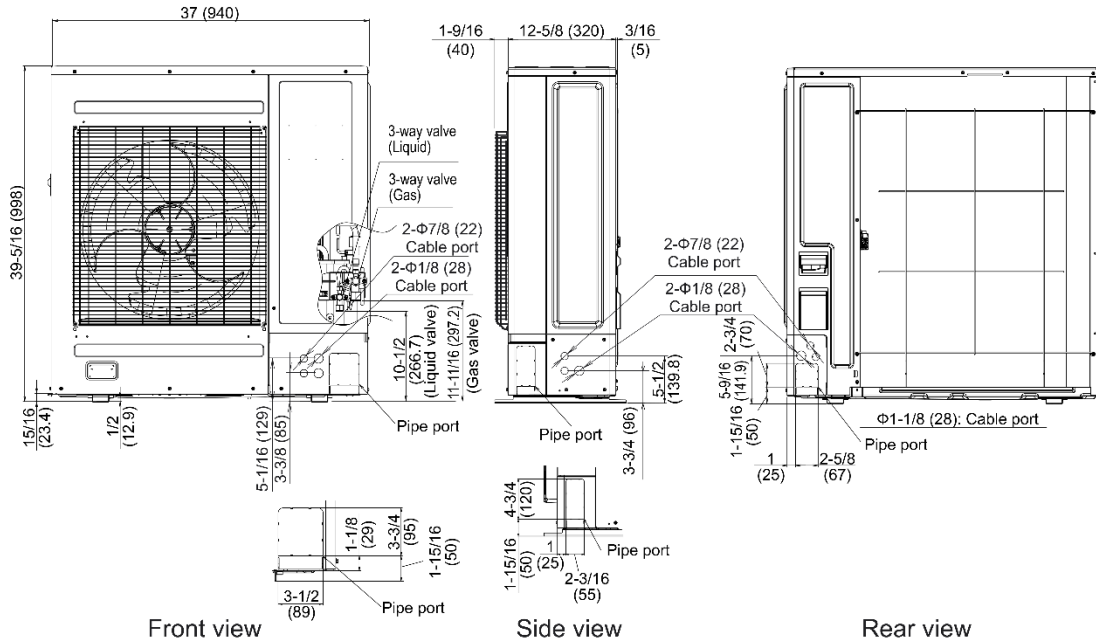
SUBMITTAL - 30KUAS1M

OUTDOOR UNIT DIMENSIONS:

Unit: in (mm)



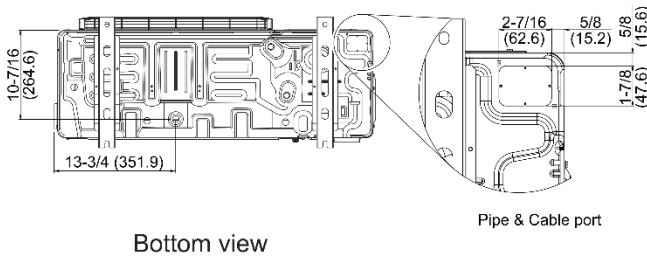
Top view



Front view

Side view

Rear view



Bottom view

Pipe & Cable port

The Fujitsu logo is a worldwide trademark of Fujitsu General Limited. The Airstage logo and name is a worldwide trademark of Fujitsu General Limited and is a registered trademark in Japan, the USA and other countries or areas. Copyright 2024 Fujitsu General America, Inc. Fujitsu's products are subject to continuous improvements. Fujitsu reserves the right to modify product design, specifications and information in this brochure without notice and without incurring any obligations.